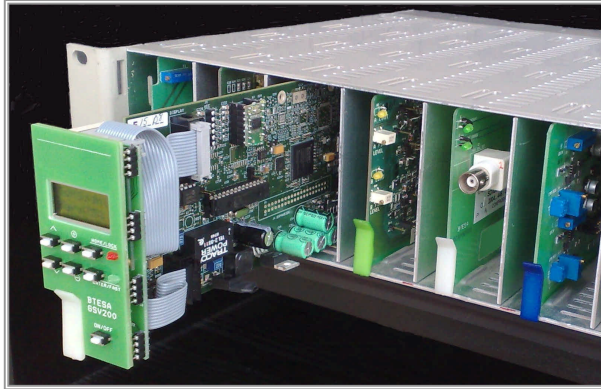


GSV-200B Video-Audio Test Signal Generator Module



BTESA's GSV200B is a cost-effective digital processing Video and Analogue Audio TSG module that is part of the BTESA's broadcast Video and Audio modular equipment series which also includes Video and Audio Distribution Amplifier modules (see separate datasheet)

The GSV200 plugs into the UR200 rack frame and occupies 1 slot of the 8 available for equipment modules.

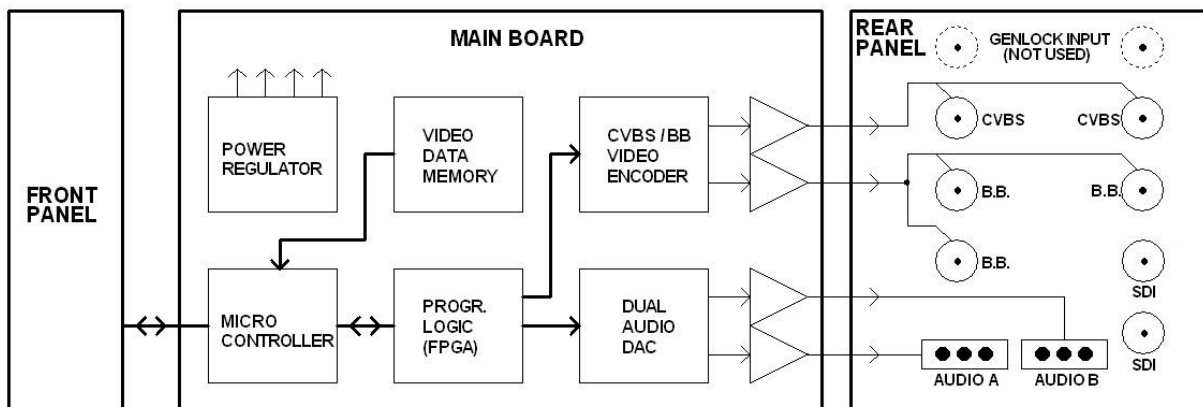
The GSV200 provides Composite and SDI Video Test Signals as well as 3 Analogue Black Burst outputs. It also provides two channels of fully programmable analogue audio tones.

VIDEO TEST SIGNALS (COMPOSITE AND SDI)

- Color Bars 75%
- Color Bars 100%
- CCIR Line 17 (1)
- Multiburst
- Modulated Ramp
- Modulated 5-Step Staircase
- SinX/X
- Horizontal Sweep (1)
- CCIR Line 330 (1)
- CCIR Line 331 (1)
- Full Field Red
- Black Burst
- Full Field 50% Grey
- Full Field 100% White
- SDI Equalizer Test
- SDI PLL Test
- FCC Composite (2)
- NTC7 Combined (2)
- NTC7 Composite (2)
- VIRS (2)

(1) PAL only

(2) NTSC only



GSV200B FUNCTIONAL BLOCK DIAGRAM

VIDEO SPECIFICATIONS

Supported Video Standards	525 and 625 lines (PAL/NTSC/SDI)	Number of outputs (75ohm / DC coupled)	2 CVBS 2 SDI 3 Black burst
Internal master oscillator	TCXO 27MHz 1ppm stability (0 to 70°C)	Oscillator ageing	< 1ppm / year
Luminance amplitude	1 Vpp \pm 2%	SDI amplitude	800 mVpp \pm 1%
Chroma to luma gain error	< \pm 1%	Chroma to luma delay error	< \pm 4ns
Differential gain	< 0.3%	Differential phase	< 0.3°
Frequency response	\pm 0.2dB (0.1MHz to 5.5MHz)	Transient response	< 0.4% K factor
S/N	> 70dB unweighted (0.1MHz to 5.6MHz)	Sc-H phase error	< \pm 2°
Blanking DC level	0 V \pm 15mV		

AUDIO SPECIFICATIONS

Number of channels	Two (fully independent with the same specifications)	Audio format (impedance)	Analogue (66ohm Balanced)
THD+N	< 0.1%, (1KHz +4dBu)	Frequency response	\pm 0.2dB (20Hz to 20kHz)
Level	-8dBu to +12dBu adjustable	Frequency	10Hz to 24kHz adjustable
Level adjustment resolution	0.1dBu	Frequency adjustment resolution	10Hz / 100Hz
Displayed Level error	< 0.15dBu (receiver impedance > 10kOhm)	Displayed Frequency error	< 20ppm
Special modes	Click. Mute.		

GENERAL SPECIFICATIONS

Supply voltage	+19 to +35Vdc unregulated (from frame power supply module)	Power consumption	< 5 W (Protective fuse: 0.5A time lag)
Temperature range	0°C to 60°C (operation) -30°C to 70°C (storage)	Dimensions	1 slot in UR-200 frame

0dBu = 0.775V unloaded

Models and specifications subject to change without notice